

0.375" PITCH SERIES BC6

PHYSICAL PROPERTIES

HOUSING MATERIAL: Polypropylene

FLAMMABILITY: UL94V-0

COLOR: Black

TERMINAL

TERMINALS: Bright acid tin over copper alloy

SCREWS: #6-32 steel, zinc plating with clear chromate coating. Wire clamping screw standard.

MECHANICAL

PITCH (TERMINAL SPACING): .375"

RECOMMENDED PCB HOLE DIA.: 1.8mm (.073")

ELECTRICAL PROPERTIES

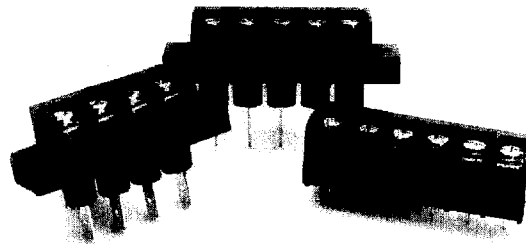
MAXIMUM CURRENT: 20A

OPERATING VOLTAGE: 300V

WIRE RANGE: 12-22 AWG

ENVIRONMENTAL PROPERTIES

OPERATING TEMPERATURE RANGE: 105°C max.



BC6 SERIES

ORDERING INFORMATION

BC6 - P 1 08 - 08

(A)
(B)
(C)
(D)

(A) Terminal Style

P=Printed Circuit (available with 1,2,5 block style only)

T=Solder Turret

Q=Quick Connect

W=Solderless Wrap

(B) Block Style

1=Flat, all positions filled (standard)

2=Flat, end mounting feet with holes (required for cover option)

3=Insulating turret, end mounting feet with holes (required for cover option)

4=Insulating turret, all positions filled

5=Flat, end positions open with mounting bushings

(C) Screw Hardware

07=Steel combo binder head screw

08=Steel wire clamp combo head screw

(D) No. of Circuits (Not Positions)

02 to 16 circuits with mounting feet option*

* Up to 18 circuits available without mounting feet option

Retaining Clips

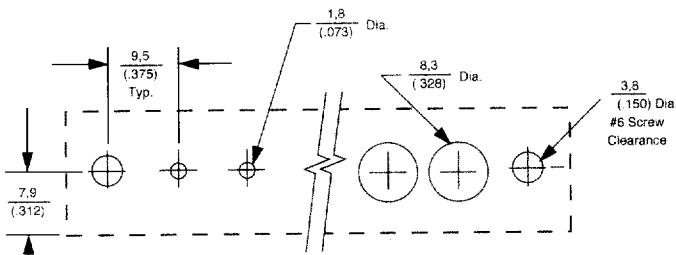
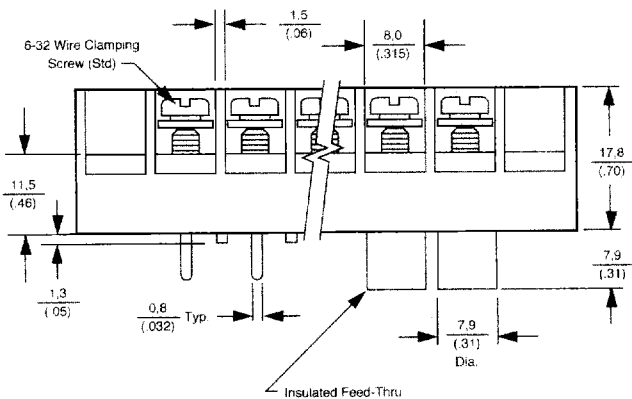
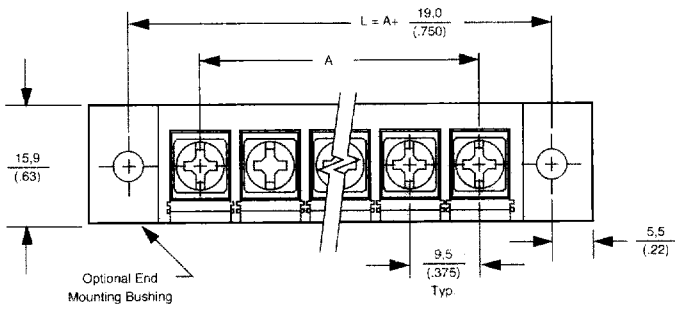
Spring metal retaining clips fit around insulating barrel to provide permanent mounting of blocks to panels without the need for mounting holes. Use two per block. Catalog # **JC/BC-Retaining**.



Bottom view

0.375" PITCH BC6 SERIES

TERMINALS	A	TERMINALS	A
2	(.375) 9,5	11	(3.750) 95,2
3	(.750) 19,1	12	(4.125) 104,8
4	(1.125) 28,6	13	(4.500) 114,3
5	(1.500) 38,1	14	(4.875) 123,8
6	(1.875) 47,6	15	(5.250) 133,3
7	(2.250) 57,1	16	(5.625) 142,9
8	(2.625) 66,7	17	(6.000) 152,4
9	(3.000) 76,2	18	(6.375) 161,9
10	(3.375) 85,7		



PRINTED CIRCUIT BOARD MOUNTING PANEL LAYOUT

